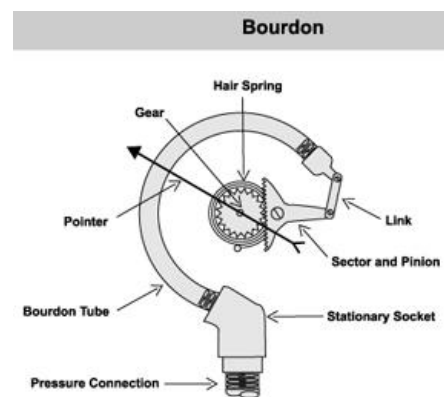


Economical Bourdon Tube Pressure Gauge



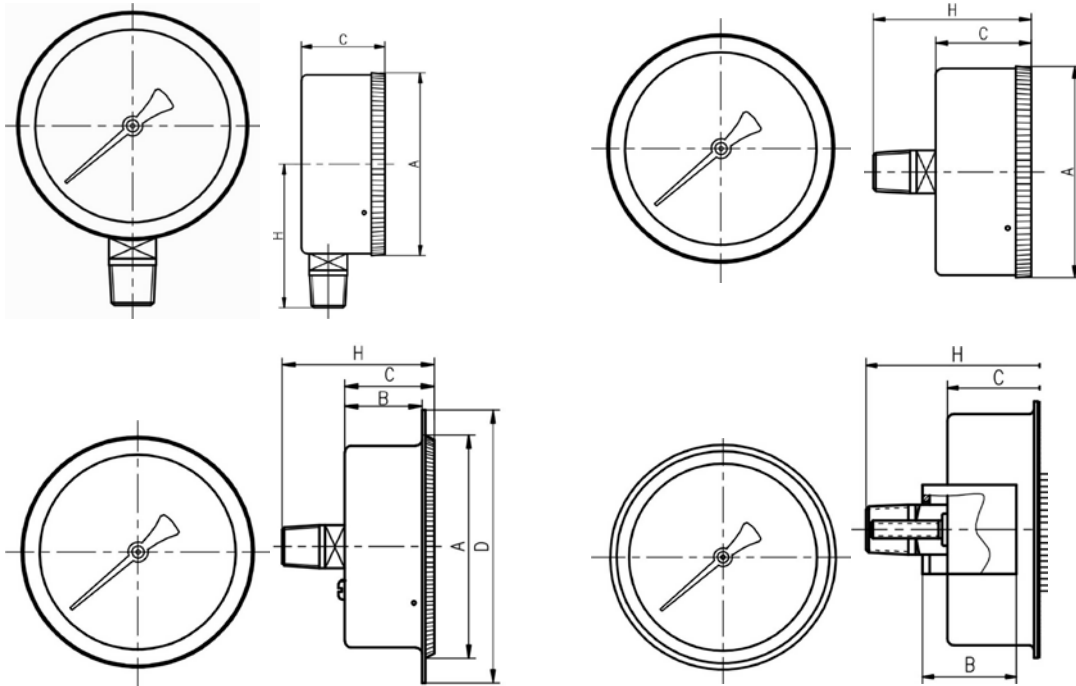
Y series Economical bourdon tube Pressure Gauge suitable for the non-explosion, non-crystal, non-solid and non-corrosion to the copper alloy.

The pressure system consists of socket, bourdon tube and transfer mechanism and show the value through the pointer. Below is the picture to show bourdon tube pressure gauge constructions.

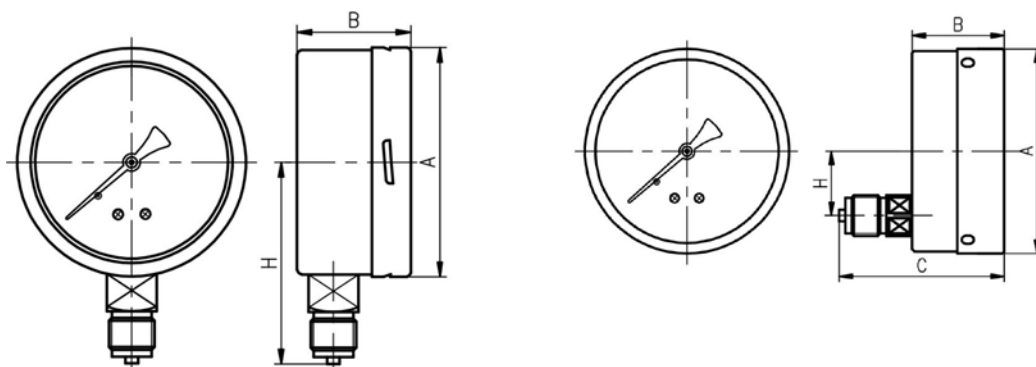


Specifications

- Accuracy: $\Phi 60$, $\pm 2.5\%$; $\Phi 100$, $\Phi 150$, $\pm 1.6\%$
- Working pressure:
Steady: $3/4$ of full scale value. Fluctuating: $3/2$ of full scale value. Short time: full scale value.
- Ambient temperature: $-40 \sim 70\text{ }^{\circ}\text{C}$ (Relative humidity $\leq 85\%$)
- Temperature impact: The temperature change is not more than $0.6\%/10^{\circ}\text{C}$ When the temperature deviates from $20\pm 5^{\circ}\text{C}$.
- Connector: Brass
- Bourdon tube: Brass
- Case: steel with black plated
- Dial: white aluminium dials with black marking •
- Pointer: Aluminium, black.
- Window: plain glass, plexiglass.
- Connection: $\Phi 40/50$ M10x 1; $\Phi 60$ M14x 1.5; $\Phi 100$, $\Phi 150$ M20x 1.5 Other threads available.

Φ 60 Dimensions Unit (mm)

Table1

Type code	A	B	C	D	D1	H
Y-60AO	68.5		31			53.5
Y-60ZO	68.5		31			51.25
Y-60ZT	72	25	29	88	79	49.5
Y-60ZK	72	26.5	29			52

Φ 100, Φ 150 Dimensions Unit (mm)


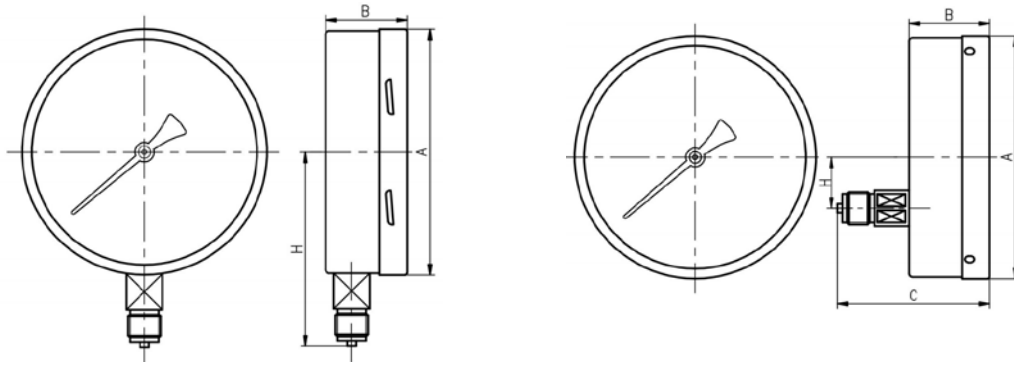


Table2

Type code	A	B	C	H
Y-100AO	101mm	50mm		89mm
Y-100BO	100mm	45mm	80mm	31.5mm
Y-150AO	150mm	50mm		118mm
Y-150BO	150mm	50mm	94.5mm	31.5mm

Model Selection

Table3

Item	Code	Description
Basic Type	Y	Economical pressure gauge
Diameter	60	Φ 60
	100	Φ 100
	150	Φ 150
		Others
Mounting	AO	Bottom mounting
	AT	Bottom mounting with front flange
	AH	Bottom mounting with back flange
	ZO	Back mounting
	ZT	Back mounting with front flange
	BO	Lower back mounting
	BT	Lower back mounting with front flange
	ZK	Back U clamp mounting
	S	Others
Connection	C1	Thread M14×1.5
	C2	Thread M20×1.5
	C3	Thread 1/4NPT
	C4	Thread 1/2NPT
	Cx	Others
Range	M***	Refer to range table

Table4

Table of Ranges					
Code	Ranges	Code	Ranges	Code	Ranges
M500	-0.1~0MPa	M030	0.1MPa	M180	4MPa
M510	-0.1~0.06MPa	M040	0.16MPa	M200	6MPa
M520	-0.1~0.15MPa	M060	0.25MPa	M220	10MPa
M530	-0.1~0.3MPa	M080	0.4MPa	M230	16Mpa
M540	-0.1~0.5MPa	M100	0.6MPa	M240	25MPa
M550	-0.1~0.9MPa	M120	1MPa	M270	40Mpa
M560	-0.1~1.5 MPa	M140	1.6MPa	M280	60Mpa
M570	-0.1~2.4 MPa	M160	2.5MPa		