

## SHLT Type Level Transmitter



**Direct Mount**



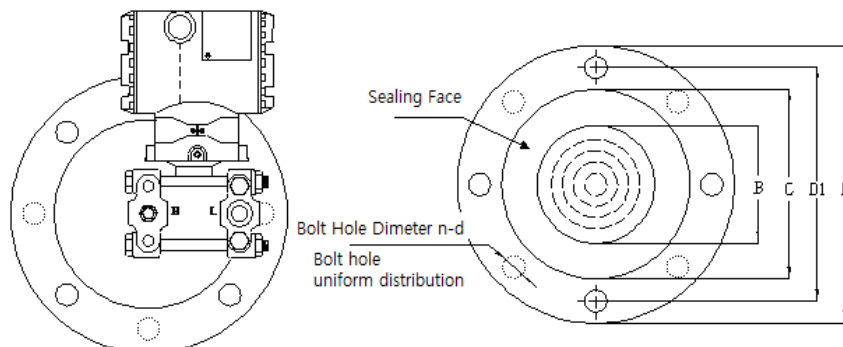
**Side Mount**

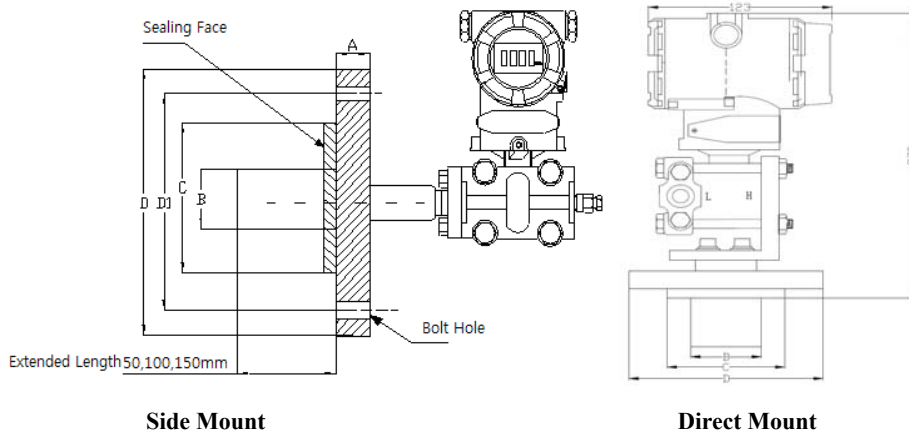
SHLT (smart) flange type level transmitter can carry on accurate measurement of level and density for all kinds of containers. Flush flange and extended flange available, diaphragm seal direct contacts with medium without impulse line.

### Features

- Application: open or sealed tank level
- Accuracy: 0.1%,0.2%,0.5%
- Measuring Range: 6Kpa ~20Mpa
- Measuring Type: Flush flange and extended flange
- Mounting: Direct mount and side mount

### Flange Specification

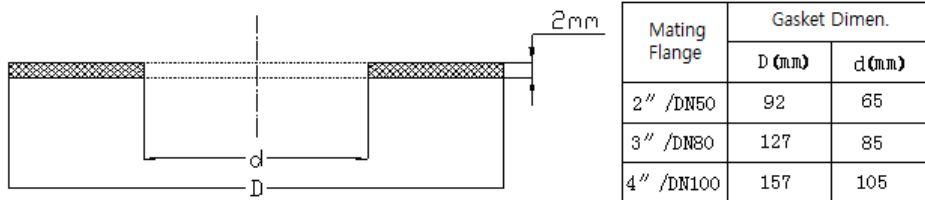




**SHLT Flange type level Transmitter Dimensions**

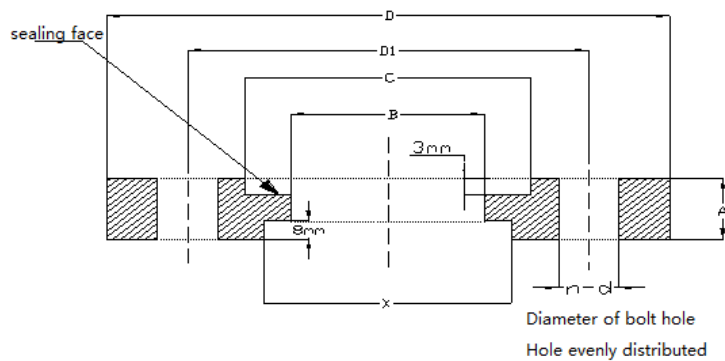
No	Flange size					Bolt Hole		
	Flange size	OD D(mm)	ID B(mm)	Seal face C(mm)	Thickness A(mm)	No.n	Diameter d(mm)	Bolt Circle D1(mm)
1	2"/DN50	165	48	95	20	4	18	120
2	3"/DN80	200	66	127	22	8	18	152
3	4"/DN100	220	89	157	22	8	18	191

**Flange sealing gasket Dimension**



Flange sealing gasket material can be selected according to the measured medium, there are asbestos rubber, acrylonitrile-butadiene rubber, fluororubber, nylon, PTFE to be selected.

**Mating Flange Dimension**



**Mating Flange Dimensions**

Mating Flange	A	B	C	D1	D	X	n-d
2"/DN50	20	64	95	125	165	<98	4-18
3"/DN80	22	74	127	160	200	<127	8-18
4"/DN100	22	97	157	180	200	<157	8-18

**Model Selection**

<b>Code</b>	
SHLT	Silver Capacitance Level Transmitter
<b>Code</b>	<b>Measuring Range</b>
4E	(0-6~40)Kpa
5E	(0-40~200)Kpa
6E	(0-0.16~1)Mpa
7E	(0-0.4~2.5)Mpa
8E	(0-1.6~8)Mpa
9E	(0-4~20)Mpa
<b>Code</b>	<b>Accuracy</b>
1	0.1%
2	0.2%
3	0.5%
<b>Code</b>	<b>Explosion Proof</b>
P	Non-explosion proof
d	Explosion proof ExdII BT4
i	Intrinsically safe explosion-proof Exia IIC T6
<b>Code</b>	<b>Display</b>
/	No display
M5	LCD display
<b>Code</b>	<b>Output</b>
E	(4-20mA) output
S	(4-20mA) output & Hart Protocol
<b>Code</b>	<b>Flange size</b>
A	DN50
B	DN80
C	DN100
D	Special
<b>Code</b>	<b>Extended Length</b>
L0	0 mm (flush Flange)
L1	50 mm
L2	100 mm
L3	150 mm
L4	Special
<b>Code</b>	<b>Diaphragm Seal Material</b>

2	316L Stainless steel
3	Hadtelloy Alloy C
4	Monel
5	Tantalum
<b>Code</b>	<b>Mounting</b>
S	Side mounting
D	Direct mounting
<b>Code</b>	<b>Process Connection</b>
C0	1/4"NPT (F)
C1	1/2"NPT(F)
C2	1/2"NPT(M)
C3	M20×1.5(M)
<b>Code</b>	<b>Mounting Bracket</b>
B1	Bent Bracket for pipe mounting (2" pipe)
B2	Bent Bracket for plate mounting
B3	Flat bracket for pipe mounting (2" pipe)